

OFFERED WAGONS



www.kolowag.bg



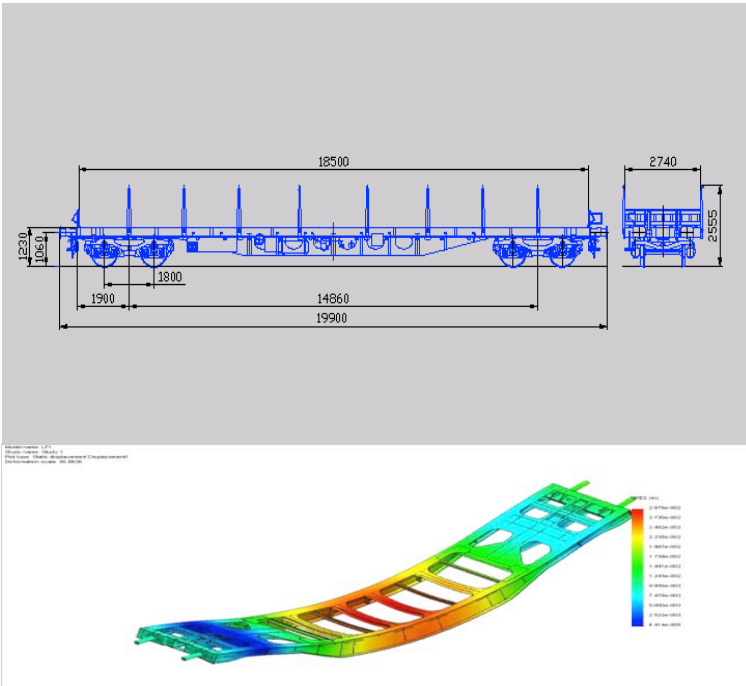
Approvals: TSI; VPI



Kolowag is brand of Vagonoremonten Zavod-99/VRZ-99/ AD Septemvri, Bulgaria.

Platform wagon **type Rgs.**

Designed for transportation of ISO containers 3x20"; 1x20"+1x40"; 6x10"
Long goods, such as threes; pipes; rails; pallets; big bagsetc



- | | |
|-------------------------------------|---|
| • Producer of the wagons | VRZ-99 AD |
| • Year of manufacture | 2014 |
| • Date of the last revision | January 2014 |
| • Wagon Main Frame | NEW MAIN FRAME steel (S355J2+N) |
| • NEW WOODEN FLOOR | Pine wood |
| • NEW STANHIONS, NEW FRONT WALLS | S355J2+N |
| • Wheel sets 20t axle load – | New wheels TSI approved
Monoblock ER7 (R7T) Ø920mm,
steel S355J2+N |
| • Bogies Y25Cs | Brake Cylinder 16", DRV600-Brake
Regulator, New Air Tank 125L, Knorr
brake valve. |
| • Brake System | UIC 826 |
| • Draw gear type | 105 A |
| • Type buffer | 33 |
| • RIV Number of the wagons | Bulgaria |
| • Country of registration | |



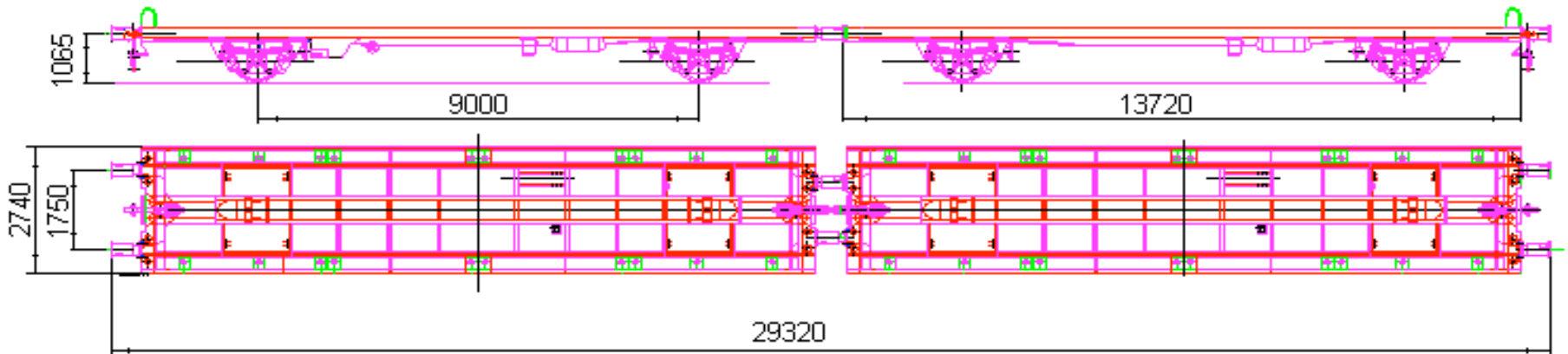


lagrrs

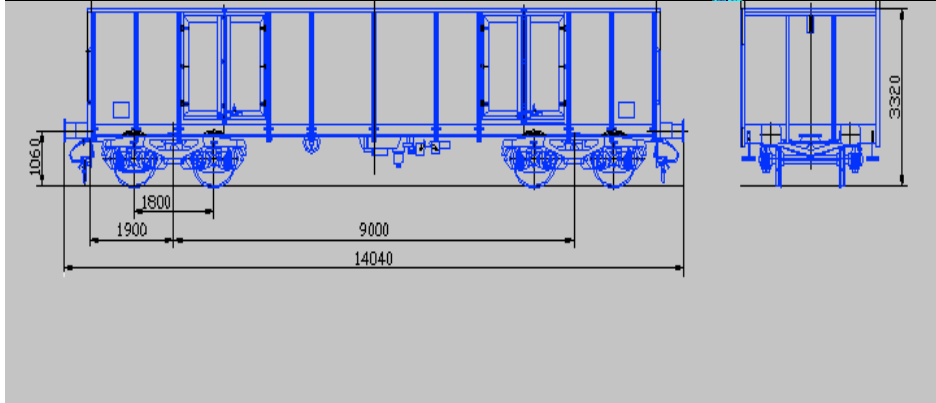
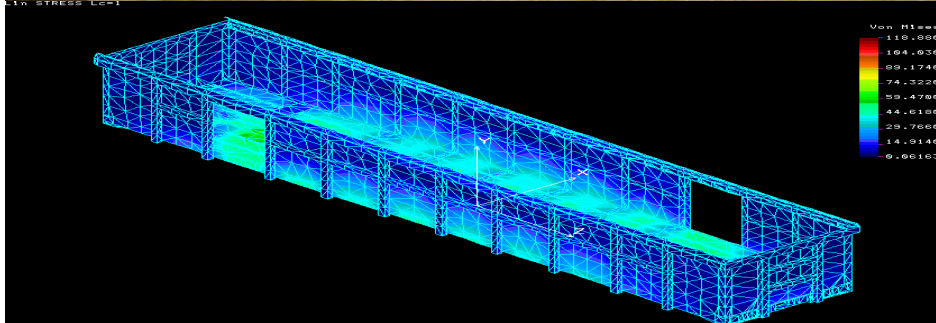
Tween Platform wagon
For transportation of
ISO containers



Producer of wagons	„VRZ - 99” AD	
Year of manufacture	2014	
Length of the wagon between buffers [mm]	29320	
Base on the wagon [mm]	9000	
Length of the frame without end buffers[mm]	28080	
Width of the wagon [mm]	2740	
ISO Containers to be loaded	2 x 45 feet	4 x 20 feet
	2x 40 feet	
	8 x 10 feet	
Type Braking System	KE - GP	
Tare of the wagon [t]	24	
Wheel sets	BA004 for 22.5 tons axle load	
Maximum speed [km/h]	120	

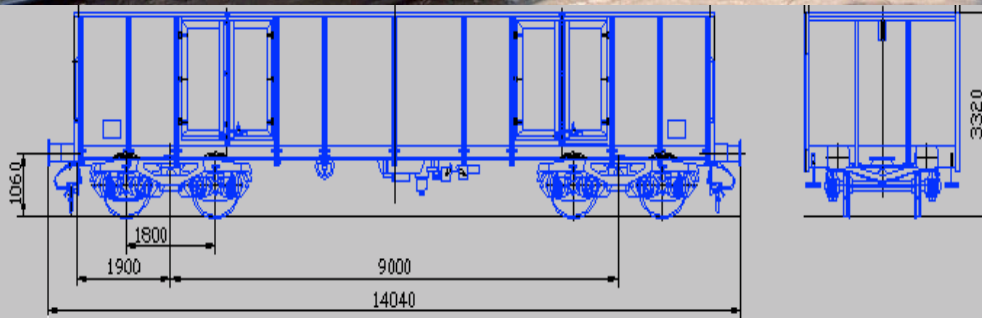


Open box freight wagons Eaos type E-71



- Producer of the wagons VRZ-99 AD
- Year of manufacture 2009
- Date of the last revision January 2014
- **Wheel sets 20t axle load** – Monoblock R7 T Ø920mm New wheels TSI approved, second hand axle, bearings and axle boxes, that are completely checked by Ultrasonic and Magnetic tests according to latest European standards VPI and DB
- **Bogies Y25Cs:** second hand Bogie Frame-complete check of all welding and Geometry, Pressing test with Diagram from automated Stand, all other equipment of bogie is New (New Triangle shaft, New Balancing Bar, New Elastic Sliders, New Connecting Elements such as bushes pins nuts,) Outer Springs 30mm
- **Brake system** Knorr - KE 1 New Brake Cylinder, New DRV-Brake Regulator, new air pipes, New Air Tank, second hand Knorr brake valve completely revised with new equipment.
- **Draw gear type** UIC 826 Installed new metal rubber packet, tested and approved
- **Type buffer** 105 Installed new metal rubber packet, tested and approved
- **RIV Number** 33
- Country of registration Bulgaria
- Technical documentation Yes
- Repair card according VPI

Eanos/Eaos Open box wagon



Producer of the wagons	VRZ-99 AD
Year of manufacture	2010
Wagon box/body	Completely NEW BOX and FLOOR. New steel pleats S355J2+N thickness 4mm walls and 6 mm floor
Date of the last revision	January 2014
Wheel sets 20t axle load	Monoblock R7 T Ø920mm New wheels TSI approved, second hand axle, bearings and axle boxes, that are completely checked by Ultrasonic and Magnetic tests according to latest European standards VPI and DB
Bogies Y25Cs:	second hand Bogie Frame-complete check of all welding and Geometry, Pressing test with Diagram from automated Stand, all other equipment of bogie is New (New Triangle shaft, New Balancing Bar, New Elastic Sliders, New Connecting Elements such as bushes pins nuts,) Outer Springs 30mm
Brake system	Knorr - KE 1 New Brake Cylinder, New DRV-Brake Regulator, new air pipes, New Air Tank, second hand Knorr brake valve completely revised with new equipment.
Draw gear type	UIC 826 Installed new metal rubber packet, tested and approved
Type buffer	105 Installed new metal rubber packet, tested and approved
RIV Number	33
Country of registration	Bulgaria
Technical documentation	Yes
Repair card according	VPI